

# Standard membrane keypads



Some of the standard keypads have been specifically designed for use with BOPLA enclosures, so they can quickly and easily be fitted as required. Customer-specific types can soon be produced at low cost on the basis of these existing standard keypads. The so-called black and white keypads are used for the setting up of prototypes and small series production. Depending on the types, these keypads are offered with or without marking. Some of these keypads can also be supplied with slot-in pockets for your individual marking purposes. We offer a wide range of different keys for the design of short-stroke keypads.

The keys are designed for optimal use behind a front membrane. The membrane keypad products which we market are components and are not subject to the ElektroG (the law relating to electrical and electronic equipment and appliances) or to the national laws of the WEEE/RoHS. Consequently we are under no obligation to register. Our membership of the *Fachgemeinschaft Tastaturen* – a professional association of keypad manufacturers in Germany – ensures that we are always up-to-date with the latest technology, so we can always meet our customers' needs in the best possible way.



**Technical characteristics:**

The contact elements of our keypads are embedded between high-quality polyester membranes.

The contact is made by pressing on the front membrane in the area of the key element.

On request, transparent screens (or also coloured) can be provided in the keypad to make visible optical displays such as LEDs or 7-segment displays.

Of course, various glasses can also be built in, or the front membranes can be left clear in the screen area.

If necessary, we can fit the membrane keypads on supporting plates or on enclosures.

**Special characteristics:**

- Stainless steel snap disc, gold-plated contact side
- Safety chamber for each individual snap disc, depending on type
- Elegant matt front membrane
- Dirt- and splash-proof according to DIN EN 60529

**Special characteristics:**

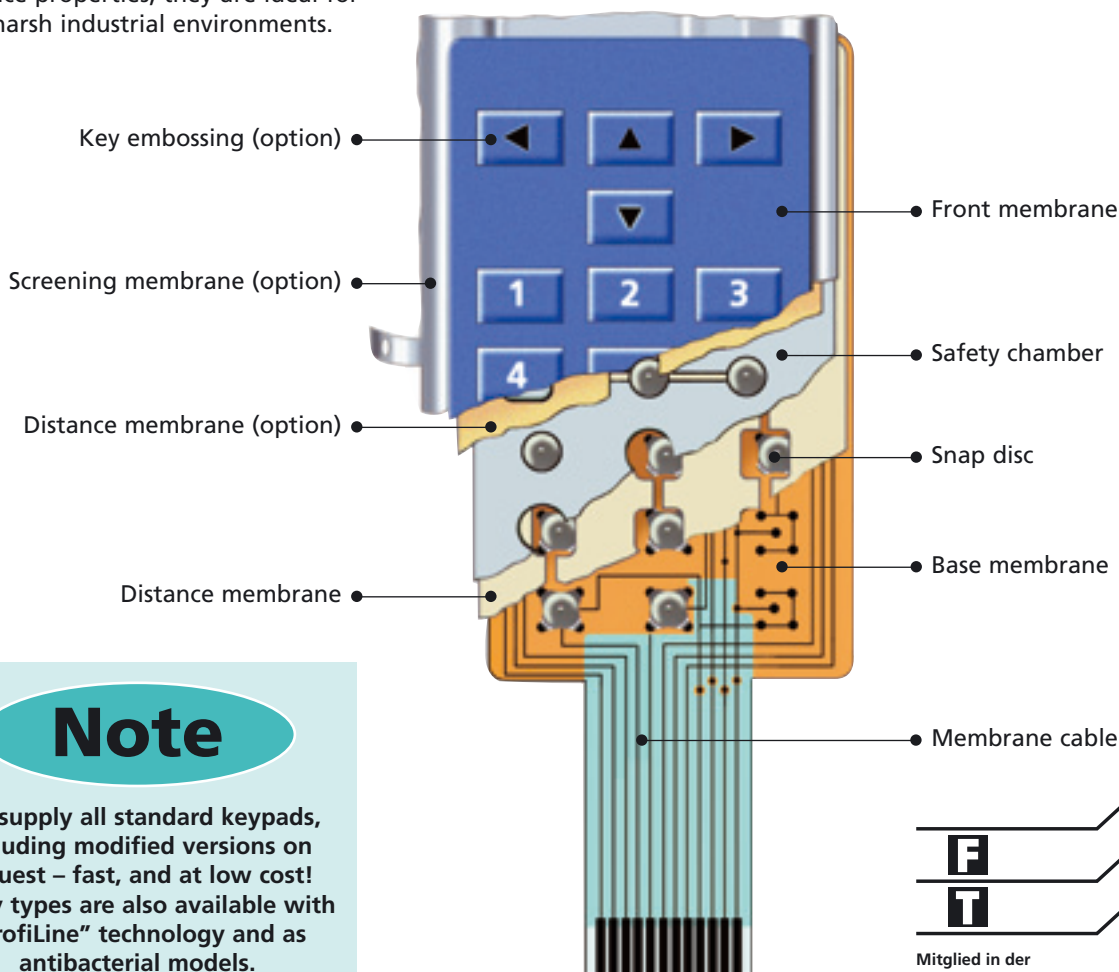
**Base membrane copper-laminated**

- The conductor strips are laminated with copper and galvanically silver-plated (gold-plated on request)
  - This prevents silver migration and abrasion
  - The material is extremely flexible and so resistant to breaking

**Base membrane using conductive silver technology**

- Graphite printing protects the conductive silver strips against oxidation and mechanical abrasion
- Green insulation printing prevents silver migration

The construction of our keypads ensures that they function very securely, and, thanks to their good chemical resistance properties, they are ideal for use in harsh industrial environments.



**Note**

We supply all standard keypads, including modified versions on request – fast, and at low cost! Many types are also available with "ProfiLine" technology and as antibacterial models.



Mitglied in der Fachgemeinschaft Tastaturen

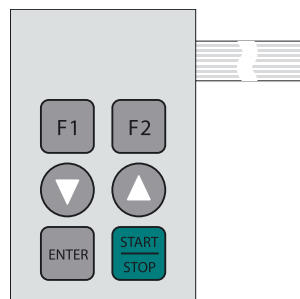


# Standard membrane keypads for BOPLA-ARTEB



BOPLA-ARTEB 115 F

## FT 11506 D



### Order designation

Model	Order no.	PU
FT 11506 D	70011506	1 pc

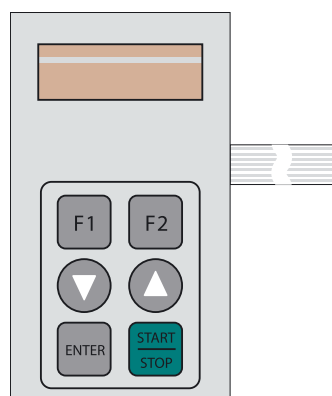
for BOPLA-ARTEB 115 F

No. of keys: 6  
 Key distance: 14 + 12 mm  
 Arrangement: common conductor  
 Ext. keypad dimensions: 56.2 x 34.3 x 0.8 mm  
 Base membr.: copper-laminated, silver-plated  
 Connection: 1 x 7-pole membrane cable  
 Cable length: 80 mm, 1 mm gaps



BOPLA-ARTEB 225 F

## FT 22506 D



### Order designation

Model	Order no.	PU
FT 22506 D	70022506	1 pc

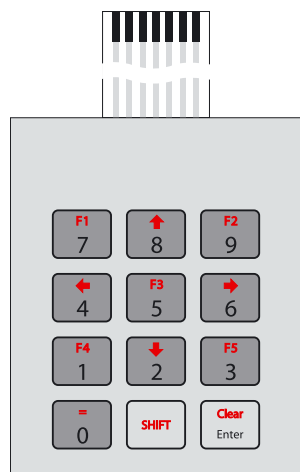
for BOPLA-ARTEB 225 F, with slot-in pocket

No. of keys: 6  
 Key distance: 14 + 12 mm  
 Arrangement: common conductor  
 Ext. keypad dimensions: 73.7 x 41.3 x 0.8 mm  
 Base membr.: copper-laminated, silver-plated  
 Connection: 1 x 7-pole membrane cable  
 Cable length: 80 mm, 1 mm gaps



BOPLA-ARTEB 335 DIS

## FT 33512 D



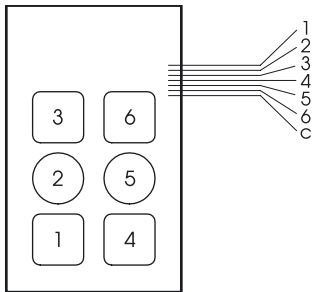
### Order designation

Model	Order no.	PU
FT 33512 D	70033512	1 pc

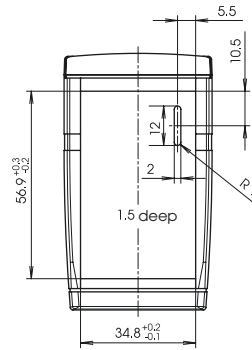
for BOPLA-ARTEB 335 DIS

No. of keys: 12  
 Key distance: 14 + 12 mm  
 Arrangement: x-y matrix  
 Ext. keypad dimensions: 67.7 x 55.2 x 0.8 mm  
 Base membr.: conductive silver technology  
 Connection: 1 x 7-pole membrane cable  
 Cable length: 70 mm

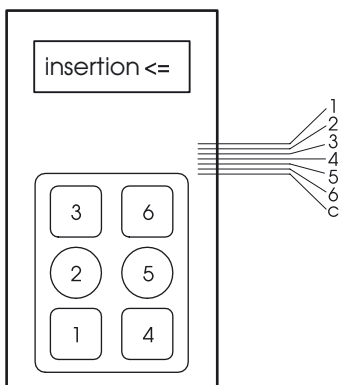
**Pin assignment**



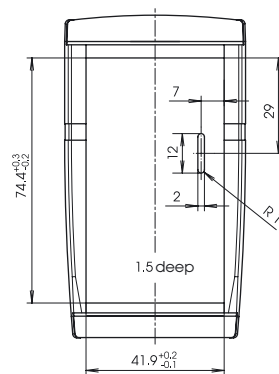
**Machining drawing**



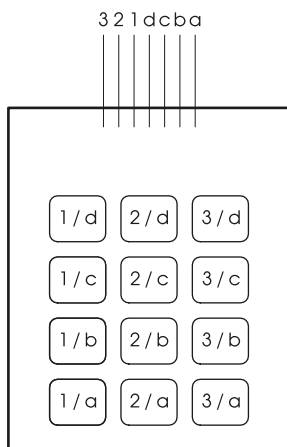
**Pin assignment**



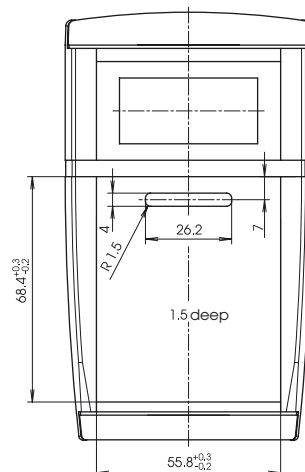
**Machining drawing**



**Pin assignment**



**Machining drawing**





# Standard membrane keypads for BOPLA-ARTEB



BOPLA-ARTEB 555 DIS

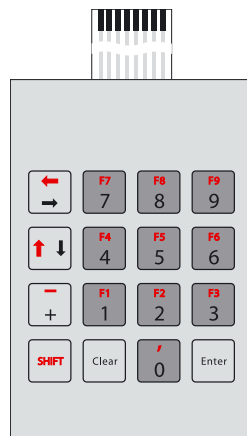


BOPLA-ARTEB 655 DIS



BOPLA-ARTEB 655 DIS

## FT 55516 D



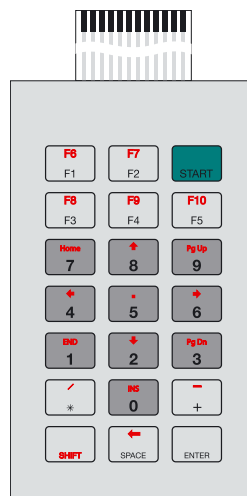
### Order designation

Model	Order no.	PU
FT 55516 D	70055516	1 pc

for BOPLA-ARTEB 555 DIS

No. of keys: 16  
 Key distance: 15.5 + 16 mm  
 Arrangement: x-y matrix  
 Ext. keypad dimensions: 101.6 x 69.2 x 0.8 mm  
 Base membr.: conductive silver technology  
 Connection: 1 x 8-pole membrane cable  
 Cable length: 100 mm

## FT 65521 D



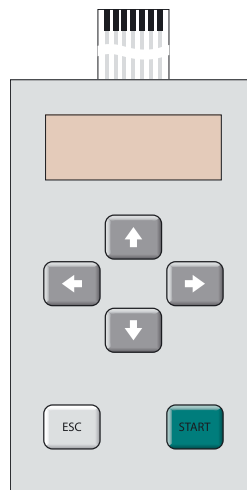
### Order designation

Model	Order no.	PU
FT 65521 D	70065521	1 pc

for BOPLA-ARTEB 655 DIS

No. of keys: 21  
 Key distance: 13.5 + 18 mm  
 Arrangement: x-y matrix  
 Ext. keypad dimensions: 119 x 69.2 x 0.8 mm  
 Base membr.: conductive silver technology  
 Connection: 1 x 12-pole membrane cable  
 Cable length: 100 mm

## FT 65506 D



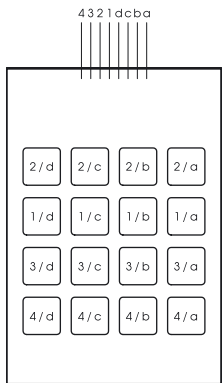
### Order designation

Model	Order no.	PU
FT 65506 D	70065506	1 pc

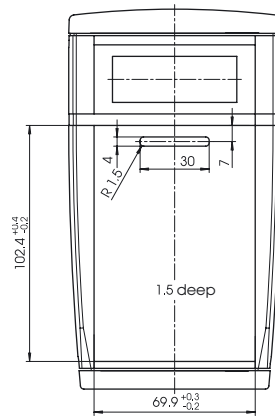
for BOPLA-ARTEB 655 DIS, ProfiLine type, with slot-in pocket

No. of keys: 6  
 Arrangement : common conductor  
 Ext. keypad dimensions: 119 x 69.2 x 1.4 mm  
 Base membr.: copper-laminated  
 Connection: 1 x 7-pole membrane cable  
 Cable length: 100 mm

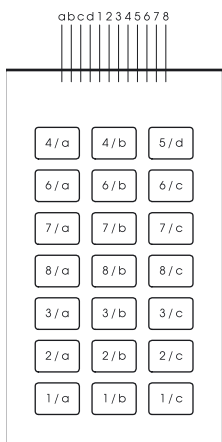
**Pin assignment**



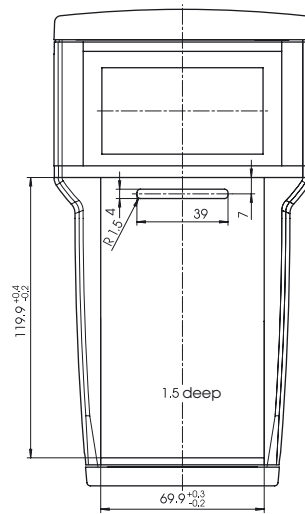
**Machining drawing**



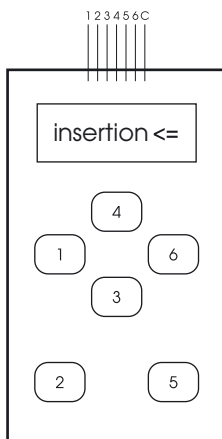
**Pin assignment**



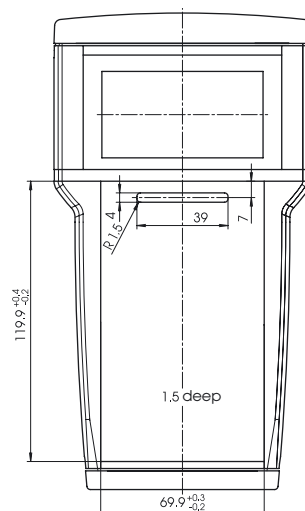
**Machining drawing**



**Pin assignment**



**Machining drawing**





# Standard membrane keypads for BOPLA-ARTEB

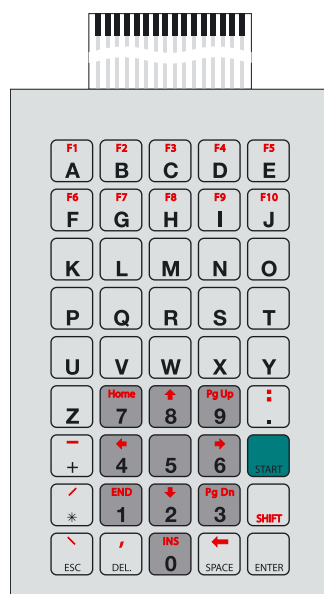


BOPLA-ARTEB 865 DIS



BOPLA-ARTEB 865 DIS

## FT 86545 MDT



### Order designation

Model	Order no.	PU
FT 86545 MDT	70086545	1 pc

for BOPLA-ARTEB 865 DIS

No. of keys: 45 via an integrated click membrane (Mylardom indirect technology)

Key distance: 13 mm

Arrangement: x-y matrix

Ext. keypad

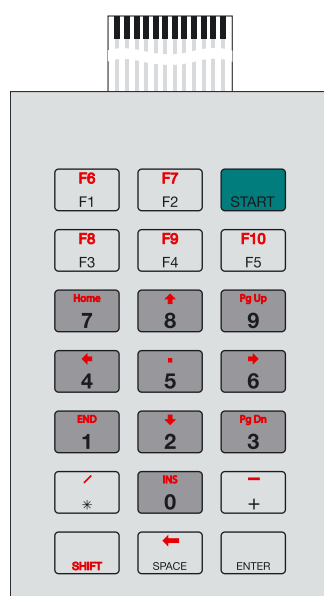
dimensions: 135.0 x 84.2 x 0.8 mm

Base membr.: conductive silver technology

Connection: 1 x 16-pole membrane cable

Cable length: 100 mm

## FT 86521 D



### Order designation

Model	Order no.	PU
FT 86521 D	70086521	1 pc

for BOPLA-ARTEB 865 DIS

No. of keys: 21

Key distance: 16 + 22 mm

Arrangement: x-y matrix

Ext. keypad

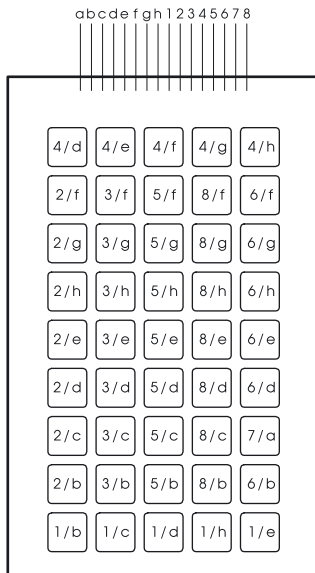
dimensions: 135.0 x 84.2 x 0.8 mm

Base membr.: conductive silver technology

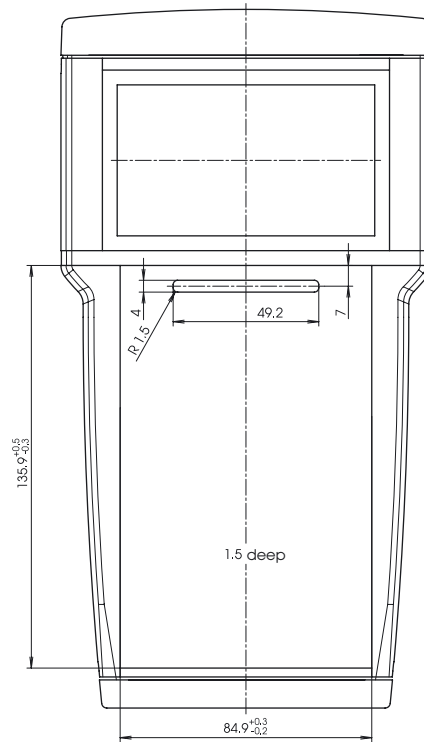
Connection: 1 x 12-pole membrane cable

Cable length: 100 mm

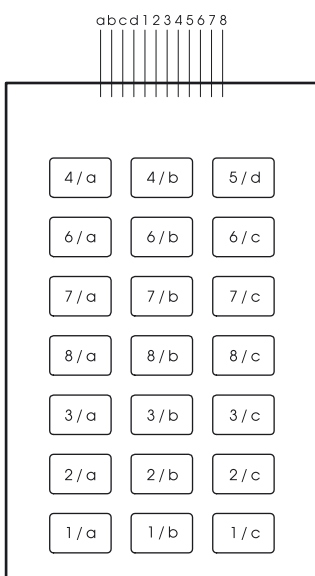
**Pin assignment**



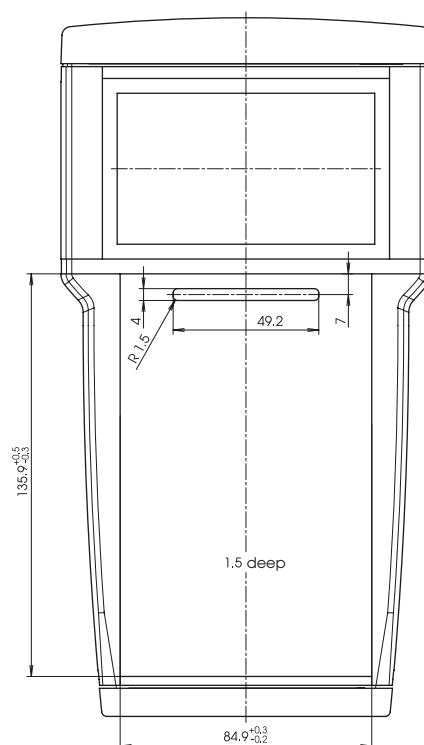
**Machining drawing**



**Pin assignment**



**Machining drawing**





# Standard membrane keypads for BOS



BOS 400/401

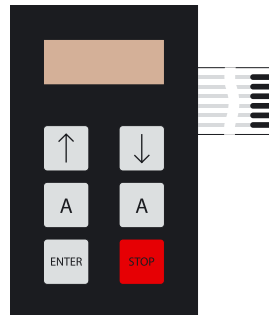


BOS 500-502



BOS 600 and 602

## FT 40006 D



### Order designation

Model	Order no.	PU
FT 40006 D	70344006	1 pc

for BOS 400/401 with tactile action point and slot-in pocket

No. of keys: 6  
 Key distance: 15 + 12 mm  
 Arrangement: x-y matrix  
 Ext. keypad dimensions: 82.4 x 49.4 x 0.8 mm  
 Base membr.: conductive silver technology  
 Connection: 1 x 6-pole membrane cable  
 Cable length: 25 mm

## FT 50012 D



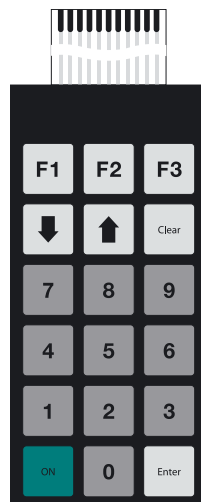
### Order designation

Model	Order no.	PU
FT 50012 D	70345012	1 pc

for BOS 500-502 with tactile action point

No. of keys: 12  
 Key distance: 11 + 14 mm  
 Arrangement: x-y matrix  
 Ext. keypad dimensions: 52.8 x 47.4 x 0.8 mm  
 Base membr.: FR 4, 0.2 mm thick, contacted, silver-plated  
 Connection: 7 lands for soldering on rear of base membrane  
 Accessories: membrane strip conductor, soldering pins/AMP plugs  
 Cable length: to customers' spec.

## FT 60018 D



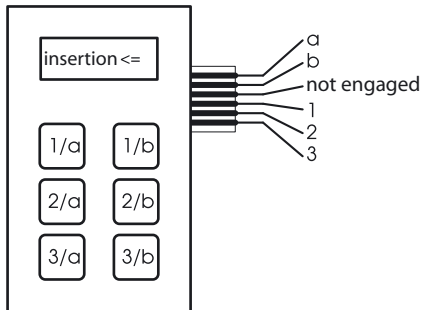
### Order designation

Model	Order no.	PU
FT 60018 D	70346018	1 pc

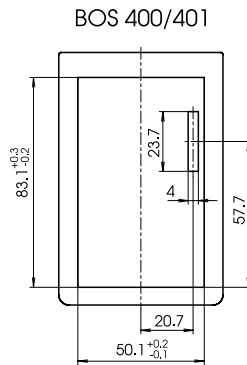
for BOS 600/602 with tactile action point

No. of keys: 18  
 Key distance: 16 mm  
 Arrangement: x-y matrix  
 Ext. keypad dimensions: 111.6 x 51.6 x 1 mm  
 Base membr.: conductive silver technology  
 Connection: 1 x 11-pole membrane cable  
 Cable length: 70 mm

**Pin assignment**



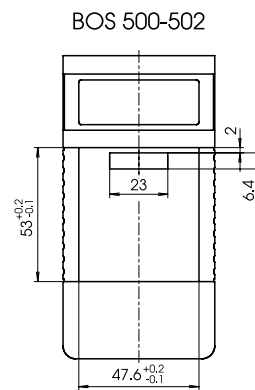
**Machining drawing**



**Pin assignment**



**Machining drawing**

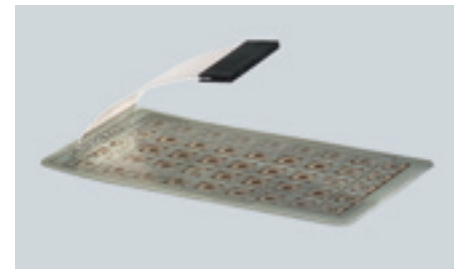


**Accessory**

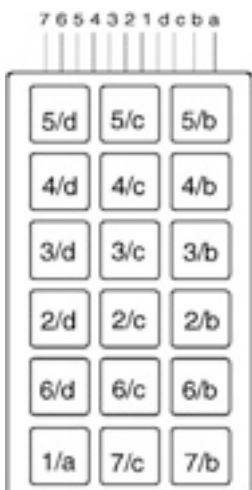
Model	Order no.	PU
FT FBL 50	70340050	1

Membrane strip approx. 50 mm long with AMP plug

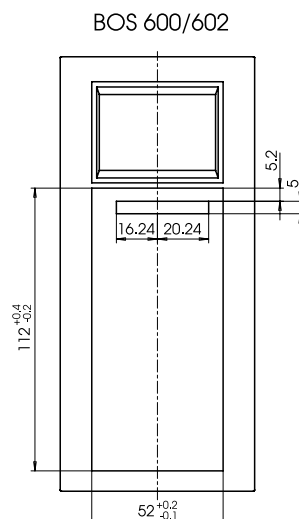
other variants on request



**Pin assignment**



**Machining drawing**





# Standard membrane keypads for BOS



BOS 700/703



BOS 700/703



BOS 750-760  
with key area 70 x 86

## FT 70012 D



### Order designation

Model	Order no.	PU
FT 70012 D	70347012	1 pc

for BOS 700-705 with tactile action point

No. of keys: 12  
 Key distance: 14 + 15 mm  
 Arrangement: x-y matrix  
 Ext. keypad dimensions: 60 x 65.2 x 1 mm  
 Base membr.: copper-laminated, silver-plated  
 Connection: 2 membrane cables, 3-pole and 4-pole  
 Cable length: 70 mm

## FT 70016 D



### Order designation

Model	Order no.	PU
FT 70016 D	70347016	1 pc

for BOS 700 - 705 with tactile action point

No. of keys: 16  
 Key distance: 14 + 15 mm  
 Arrangement: x-y matrix  
 Ext. keypad dimensions: 60 x 65.2 x 0.95 mm  
 Base membr.: FR 4, 0.2 mm thick, contacted, silver-plated  
 Connection: 8 lands for soldering on rear of base membrane  
 Accessories: membrane strip conductor, soldering pins/AMP plugs  
 Cable length: to customers' spec.

## FT 75016 D



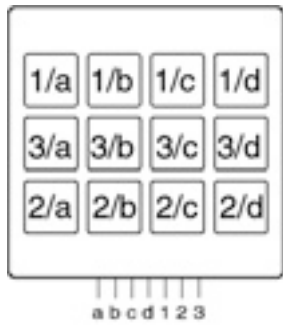
### Order designation

Model	Order no.	PU
FT 75016 D	70347516	1 pc

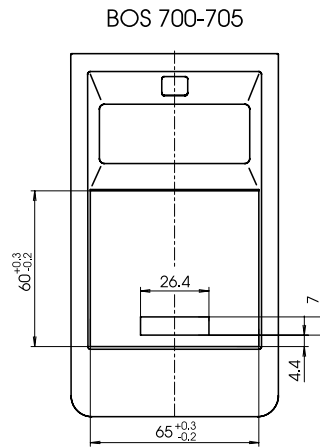
for BOS 750-760 with key area 70 x 86 and tactile action point

No. of keys: 16  
 Key distance: 16 mm  
 Arrangement: x-y matrix  
 Ext. keypad dimensions: 85.9 x 69.9 x 1 mm  
 Base membr.: copper-laminated, silver-plated  
 Connection: 2 membrane cables, 4-pole and 4-pole  
 Cable length: 70 mm

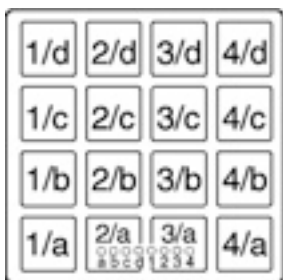
**Pin assignment**



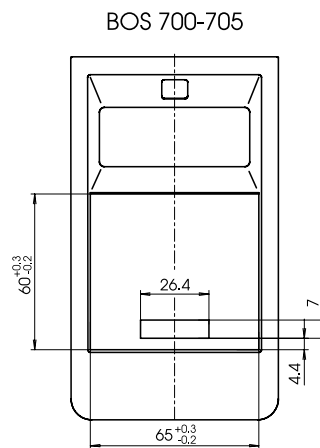
**Machining drawing**



**Pin assignment**



**Machining drawing**

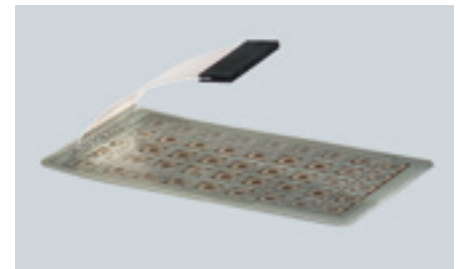


**Accessory**

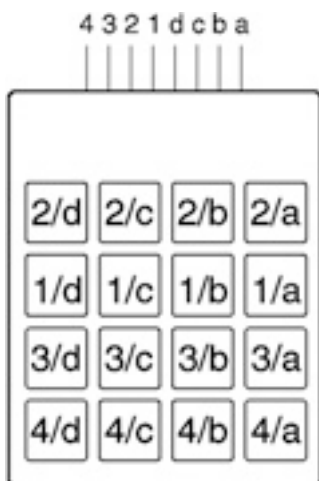
Model	Order no.	PU
FT FBL 70	70340070	1 pc

Membrane strip approx. 70 mm long with AMP plug

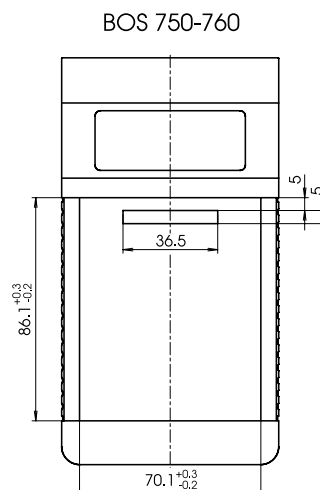
other variants on request



**Pin assignment**



**Machining drawing**





# Standard membrane keypads for BOS



BOS 750 -760  
with key area 70 x 86

## FT 75020 D



### Order designation

Model	Order no.	PU
FT 75020 D	70347520	1 pc

for BOS 750-760 with key area 70 x 86 and tactile action point

No. of keys: 20  
 Key distance: 14 + 16 mm  
 Arrangement: x-y matrix  
 Ext. keypad dimensions: 85.9 x 69.9 x 1 mm  
 Base membr.: conductive silver technology  
 Connection: 1 x 11-pole membrane cable  
 Cable length: 70 mm



BOS 800-805

## FT 80016 D



### Order designation

Model	Order no.	PU
FT 80016 D	70348016	1 pc

for BOS 800-805 with tactile action point

No. of keys: 16  
 Key distance: 16 mm  
 Arrangement: x-y matrix  
 Ext. keypad dimensions: 92.2 x 79.7 x 1 mm  
 Base membr.: copper-laminated, silver-plated  
 Connection: 2 membrane cables, 4-pole and 4-pole  
 Cable length: 70 mm



BOS 800-805

## FT 80025 D



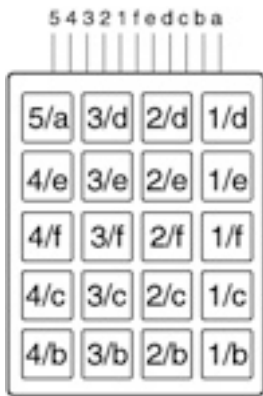
### Order designation

Model	Order no.	PU
FT 80025 D	70348025	1 pc

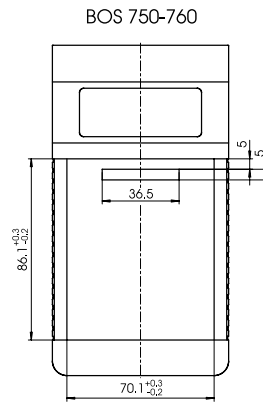
for BOS 800-805 with tactile action point

No. of keys: 25  
 Key distance: 15 + 16 mm  
 Arrangement: x-y matrix  
 Ext. keypad dimensions: 92.2 x 79.7 x 1 mm  
 Base membr.: copper-laminated, silver-plated  
 Connection: 2 membrane cables, 6-pole and 6-pole  
 Cable length: 70 mm

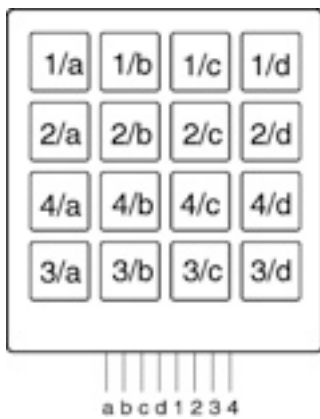
**Pin assignment**



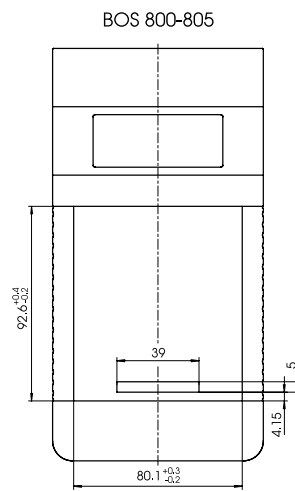
**Machining drawing**



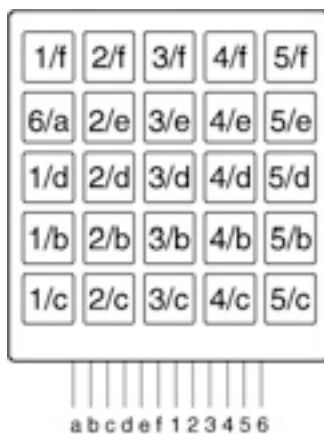
**Pin assignment**



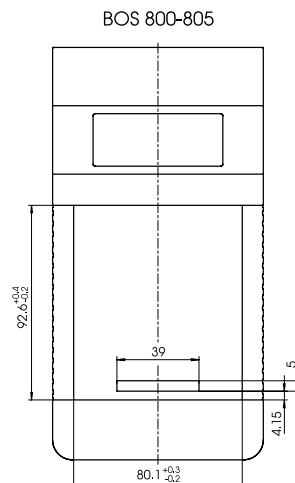
**Machining drawing**



**Pin assignment**



**Machining drawing**





# Standard membrane keypads for BOS



BOS 900-913

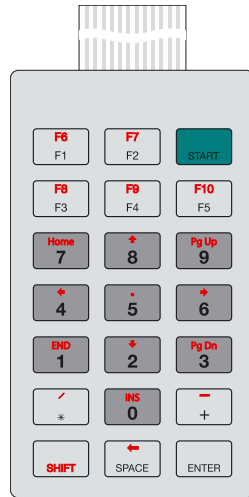


BOS 900-913



BOS 900-913

## FT 90021 D



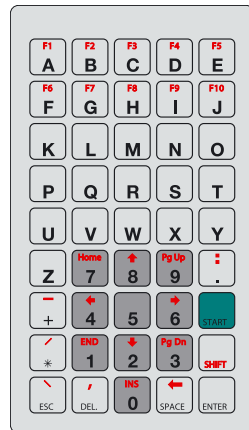
### Order designation

Model	Order no.	PU
FT 90021 D	70349021	1 pc

for BOS 900-913 with tactile action point

No. of keys: 21  
 Key distance: 16 + 22 mm  
 Arrangement: x-y matrix  
 Ext. keypad dimensions: 131.4 x 74.8 x 1 mm (corner radius: 3 mm)  
 Base membr.: copper-laminated, silver-plated  
 Connection: 2 membrane cables, 4-pole and 8-pole  
 Cable length: 70 or 100 mm, as required

## FT 90045 D



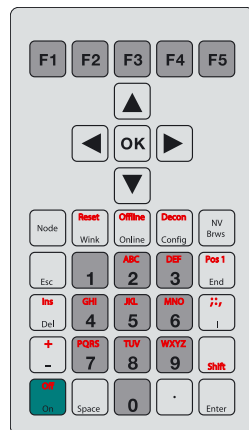
### Order designation

Model	Order no.	PU
FT 90045 D	70349045	1 pc

for BOS 900-913 w. tactile action point

No. of keys: 45  
 Key distance: 13 mm  
 Arrangement: x-y matrix  
 Ext. keypad dimensions: 131.4 x 74.8 x 0.95 mm (corner radius: 3 mm)  
 Base membr.: FR 4, 0.2 mm thick, contacted, silver-plated  
 Connection: 16 lands for soldering on rear of base membr.  
 Accessories: membrane strip conductor, soldering pins/AMP plugs  
 Cable length: to customers' spec.

## FT 90035 MDT



### Order designation

Model	Order no.	PU
FT 90035 MDT	70349935	1 pc

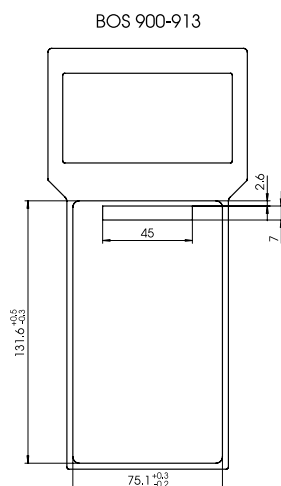
for BOS 900-913 with tactile action point

No. of keys: 35 via an integrated click membrane (Mylardom indirect technology)  
 Key distance: 13 mm  
 Arrangement: x-y matrix  
 Ext. keypad dimensions: 131.4 x 74.8 x 0.8 mm  
 Base membr.: conductive silver technology  
 Connection: 1 x 16-pole membrane cable  
 Cable length: 100 mm

### Pin assignment



### Machining drawing



### Order designation

Model	Order no.	PU
FT 90021 MDT	70349921	1 pc

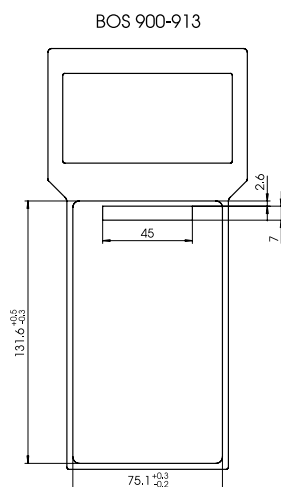
for BOS 900-913 w. tactile action point

No. of keys: 21 via an integrated click membrane (Mylardom indirect technology)  
 Key distance: 16 + 22 mm  
 Ext. keypad dimensions: 131.4 x 74.8 x 0.8 mm  
 Base membr.: conductive silver techn.  
 Connection: 1 x 12-pole membrane cable  
 Cable length: 100 mm

### Pin assignment



### Machining drawing



### Order designation

Model	Order no.	PU
FT 90045 MDT	70349945	1 pc

for BOS 900-913 w. tactile action point

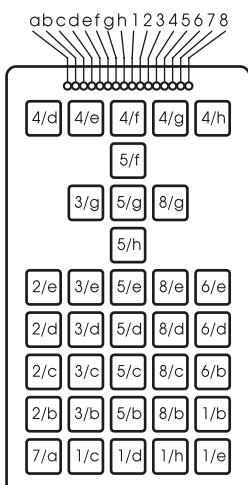
No. of keys: 45 via an integrated click membrane (Mylardom indirect technology)  
 Key distance: 13 mm  
 Ext. keypad dimensions: 131.4 x 74.8 x 0.8 mm  
 Base membr.: conductive silver technology  
 Connection: 1 memb. cable, 16-pole  
 Cable length: 100 mm

### Accessory

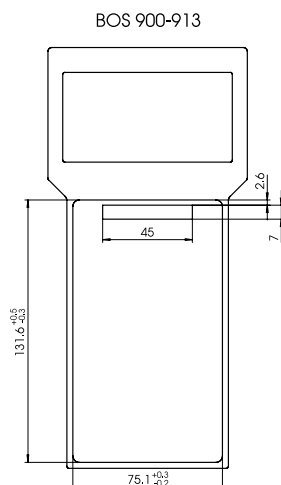
Model	Order no.	PU
FT FBL 90	70340090	1 pc

Membrane strip approx. 90 mm long with AMP plug

### Pin assignment



### Machining drawing



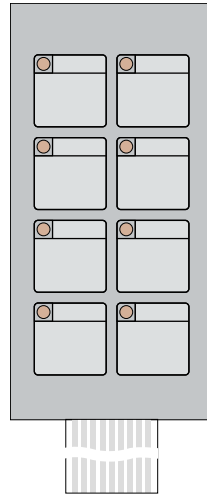


# Standard membrane keypads for Elegant



EG 1230/40/50 F

## Elegant FT EG 008 D



### Order designation

Model	Order no.	PU
FT EG 008 D	70321208	1 pc

for Elegant 1230/40/50 F  
with tactile action point

No. of keys: 8 + 8 integrated LEDs  
 Key distance: 22 + 22 mm  
 Arrangement: common conductor  
 Ext. keypad dimensions: 54.6 x 112.6 x 1 mm  
 Base membr.: conductive silver technology  
 Connection: 2 x 9-pole membrane cables  
 Cable length: 50 mm



EG 2060 PD

## Elegant FT EGP 30 D



### Order designation

Model	Order no.	PU
FT EGP 30 D	70322030	1 pc

for Elegant Pult 2060 PD  
with tactile action point

No. of keys: 30  
 Key distance: 16 mm  
 Arrangement: x-y matrix  
 Ext. keypad dimensions: 105 x 86.9 x 1 mm  
 Base membr.: copper-laminated, silver-plated  
 Connection: 2 membrane cables, 8-pole and 8-pole  
 Cable length: 70 mm



EG 1545 PD

## Elegant FT EGP 12 D



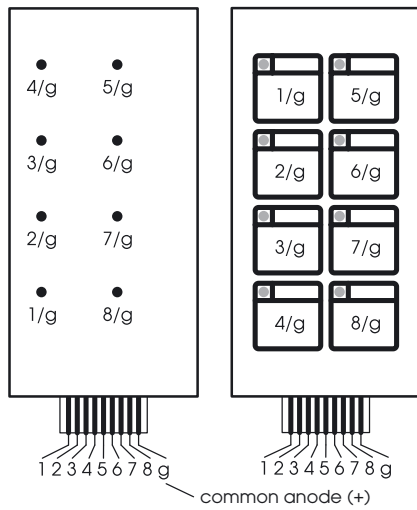
### Order designation

Model	Order no.	PU
FT EGP 12 D	70321512	1 pc

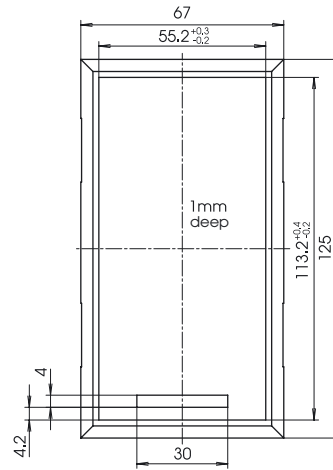
for Elegant Pult 1545 PD  
with tactile action point

No. of keys: 12  
 Key distance: 21 + 17 mm  
 Arrangement: common conductor  
 Ext. keypad dimensions: 82.5 x 64 x 1 mm  
 Base membr.: conductive silver base  
 Connection: 1 x 13-pole membrane cable  
 Cable length: 55 mm

**Pin assignment**



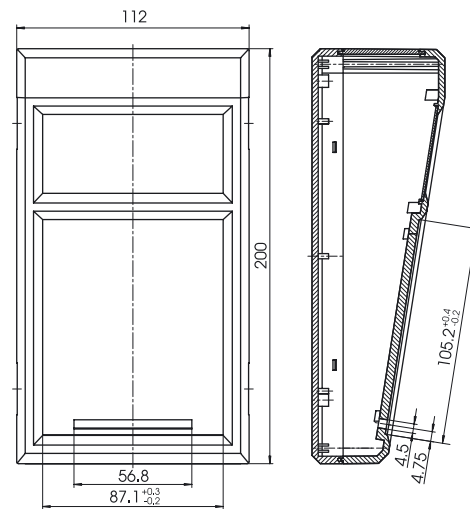
**Machining drawing**



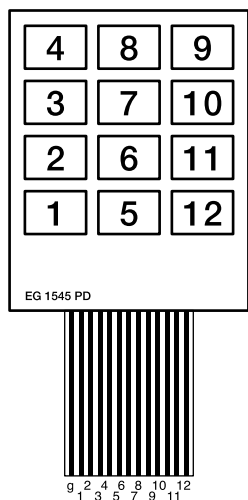
**Pin assignment**



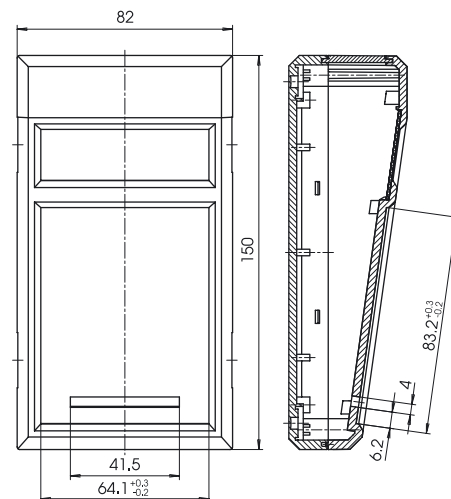
**Machining drawing**



**Pin assignment**



**Machining drawing**



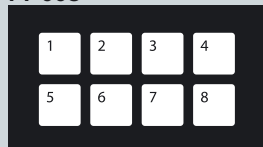
# Standard membrane keypads with/without tactile action point

Standard markings – customer-specific markings on request.

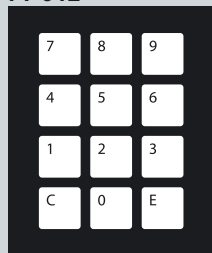
FT 004



FT 008



FT 012



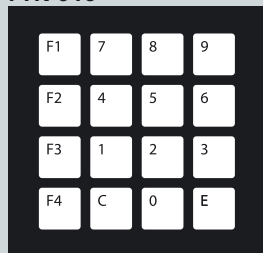
FT 016 / Type 1



FT 016 / Type 2



FTK 016



## Technical characteristics

- High-quality membrane keypads with and without tactile action point for industrial use
- Base membrane of laminated copper, silver-plated
- Front membrane and intermediate layers of polyester and polycarbonate
- Snap disc of stainless steel, gold-plated
- With self-adhesive rear for gluing onto a stable base
- The x-y matrix types can be connected directly to decoder 12/40.

## Technical data –

### Mechanical:

Installation height: 1.0 to 1.2 mm  
 Switch travel: without tactile action point approx. 0.3 mm; with tactile action p. approx. 0.6 mm  
 Snap discs: 2.5 - 3.5 - 4.5 N  
 Operating life: > 2 million operations

Ingress protection: IP 65/EN 60529  
 Operating temp.: -20° C to +70° C

### Electrical:

Max. voltage: 42 V  
 Max. current: 50 mA  
 Min. current: 50 µA  
 Max. output: 1 W  
 Volume resistivity: < 1 Ohm  
 Insulation resistance: ≥ 100 Ohm  
 Bouncing time: < 10 msec

## You need individual printing?

For this purpose we offer you types with slot-in pockets for small-series production.

## General information

Unmarked membrane keypads are primarily designed for use with sample units. Marking can be carried out by customer. Rub-on letters, etching water colour or wash-proof marker pens can be used. On request we can supply a clear covering membrane for this purpose. All standard keypads are also available with customer-specific printing (individual colours, special design).

Matching direct plugs for PCB mounting or cinchers are available on request.

## Installation

- You require a solid base-plate, e.g. at least 1.5 mm steel or 2 mm aluminium
- Mill out cable duct and recess for keypad (if necessary)
- Bend connection cable
- Degrease base-plate
- Pull off adhesive protective membrane and place on keypad while pressing hard
- Seal cable inlet with 2-component adhesive.

1 push-button 19x19 mm or ø 19 mm (not illustrated)

## Order designation

Order no.	Description	PU
70010000	round, with t. a. p.*	1 pc
70110000	cornered, with t. a. p.*	1 pc

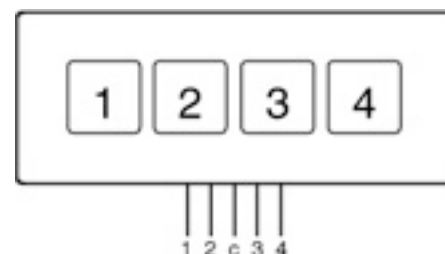
\* tactile action point

**Order designation**

Model	Order no.	Description	PU
FT 004	70040000	common conductor, without t. a. p., unmarked	1 pc
	70040010	as above, with standard marking	1 pc
	70040100	common conductor, with t. a. p., unmarked	1 pc
	70040110	as above, with standard marking	1 pc

No. of keys: 4  
 Arrangement: individual connection  
 with common conductor  
 External dim.: 39 x 96 mm  
 Key distance: 19 mm  
 Connection: 1 membrane cable,  
 5-pole  
 Cable length: 70 mm

FT 004

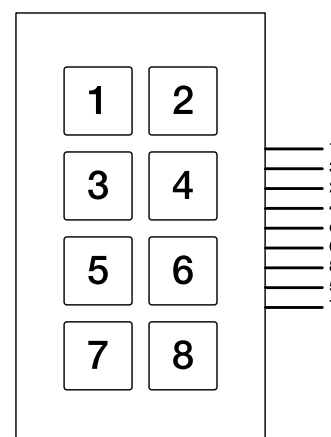


**Order designation**

Model	Order no.	Description	PU
FT 008	70080000	common conductor, without t. a. p., unmarked	1 pc
	70080010	as above, with standard marking	1 pc
	70080100	common conductor, with t. a. p., unmarked	1 pc
	70080110	as above, with standard marking	1 pc

No. of keys: 8  
 Arrangement: individual connection  
 with common conductor  
 External dim.: 58 x 96 mm  
 Key distance: 19 mm  
 Connection: 1 membrane cable,  
 9-pole / 6-pole  
 Cable length: 70 mm

FT 008



**Order designation**

Model	Order no.	Description	PU
FT 012	70120000	common conductor, without t. a. p., unmarked	1 pc
	70120010	as above, with standard marking	1 pc
	70120100	common conductor, with t. a. p., unmarked	1 pc
	70120110	as above, with standard marking	1 pc
	70121000	x-y matrix, without tactile action point, unmarked	1 pc
	70121010	as above, with standard marking	1 pc
	70121100	x-y matrix, with tactile action point, unmarked	1 pc
	70121110	as above, with standard marking	1 pc

No. of keys: 12  
 Arrangement: common conductor/  
 x-y matrix 3 x 4  
 External dim.: 77 x 96 mm  
 Key distance: 19 mm  
 Connection: 1 membrane cable,  
 13-pole / 2 membrane  
 cables, 3 + 4-pole  
 Cable length: 70 mm

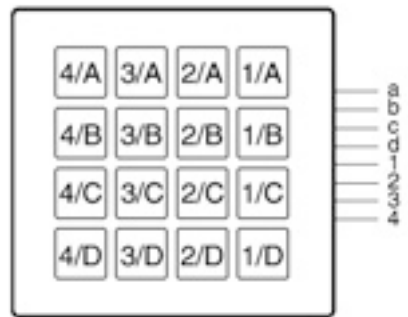
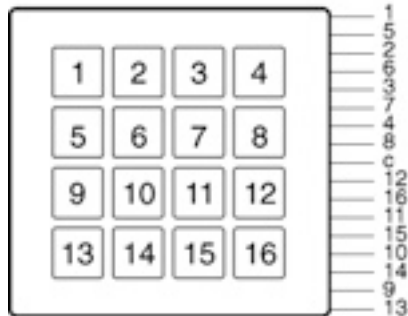
FT 012





# Standard membrane keypads with/without tactile action point

## FT 016

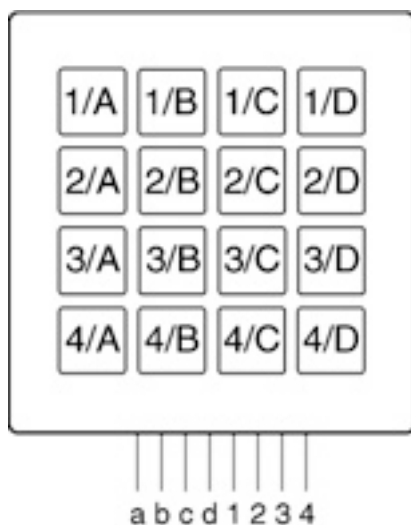


### Order designation

Model	Order no.	Description	PU
FT 016	70160000	common conductor, without t. a. p., unmarked	1 pc
	70160010	as above, with standard marking type 1	1 pc
	70160020	as above, with standard marking type 2	1 pc
	70160100	common conductor, tactile action point, unmarked	1 pc
	70160110	as above, with standard marking type 1	1 pc
	70160120	as above, with standard marking type 2	1 pc
	70161000	x-y matrix, without tactile action point, unmarked	1 pc
	70161010	as above, with standard marking type 1	1 pc
	70161020	as above, with standard marking type 2	1 pc
	70161100	x-y matrix, with tactile action point, unmarked	1 pc
	70161110	as above, with standard marking type 1	1 pc
	70161120	as above, with standard marking type 2	1 pc

No. of keys: 16  
 Arrangement: individual connection  
 with common conductor  
 or x-y matrix 4 x 4  
 External dim.: 96 x 96 mm  
 Key distance: 19 mm  
 Connection: 1 membrane cable,  
 17-pole, or 2 membrane  
 cables, 4 + 4-pole  
 Cable length: 70 mm

## FTK 016 / FT800-16



### Order designation

Model	Order no.	Description	PU
FTK 016	70161101	x-y matrix, with tactile action point, unmarked	1 pc
	70161111	as above, with standard marking	
FTK 016 L	70161102	x-y matrix, with tactile action point, unmarked	1 pc
	70161112	as above, with standard marking	1 pc
L = with cables on long side, next to each other			
FT 800-016	70161108	x-y matrix, with tactile action point, unmarked to match enclosure BOS 800	1 pc

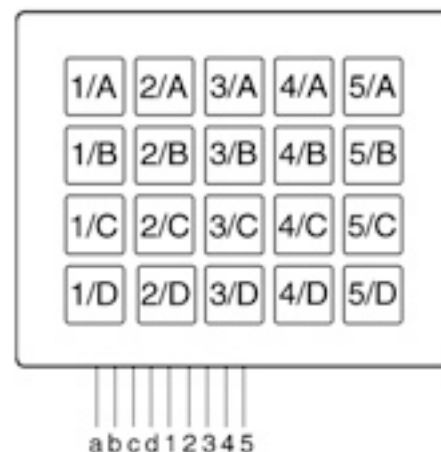
No. of keys: 16  
 Arrangement: x-y matrix 4 x 4  
 External dim.: 75 x 80.4 mm  
 Key distance: 16 mm  
 Connection: 2 membrane cables,  
 4 + 4-pole  
 Cable length: 105 mm

### Order designation

Model	Order no.	Description	PU
FT 020	70201100	x-y matrix, with tactile action point	1 pc

FT 020

No. of keys: 20  
 Arrangement: x-y matrix 4 x 5  
 External dim.: 96 x 115 mm  
 Key distance: 19 mm  
 Connection: 2 membrane cables,  
 4 + 5-pole  
 Cable length: 70 mm



### Order designation

Model	Order no.	Description	PU
FT 040	70401100	x-y matrix, with tactile action point	1 pc

FT 040

No. of keys: 40  
 Arrangement: x-y matrix 10 x 6  
 (8 x 6 connection to  
 mini decoder)  
 External dim.: 106 x 160 mm  
 Key distance: 18 mm  
 Connection: 2 membrane cables,  
 10 + 6-pole  
 Cable length: 120 mm

